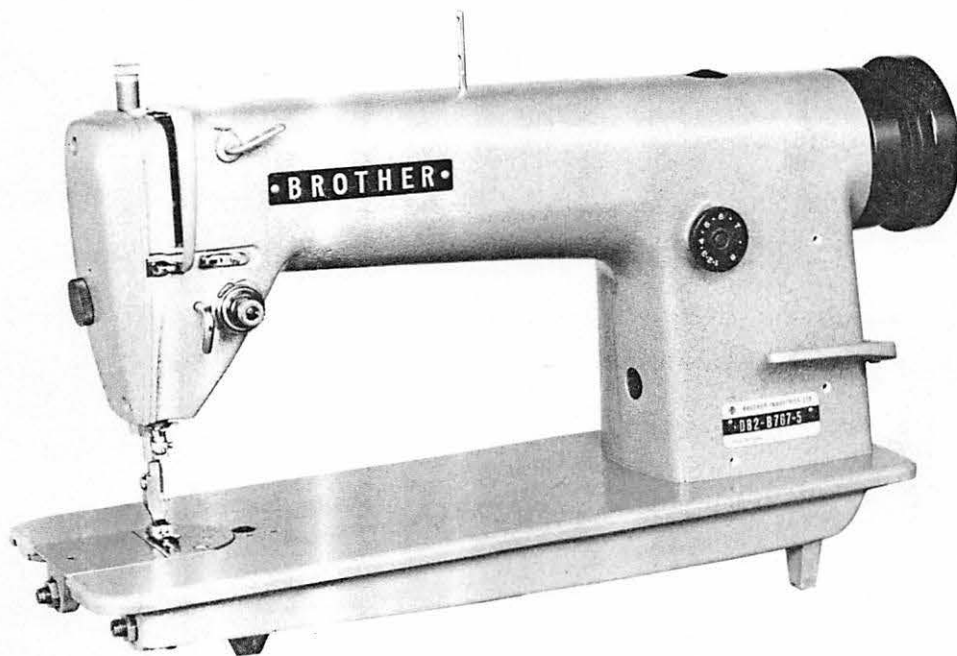



PARTS BOOK
FOR
BROTHER DB2-B767-5



Single Needle Lockstitch Machine

BROTHER INDUSTRIES, LTD.
NAGOYA, JAPAN

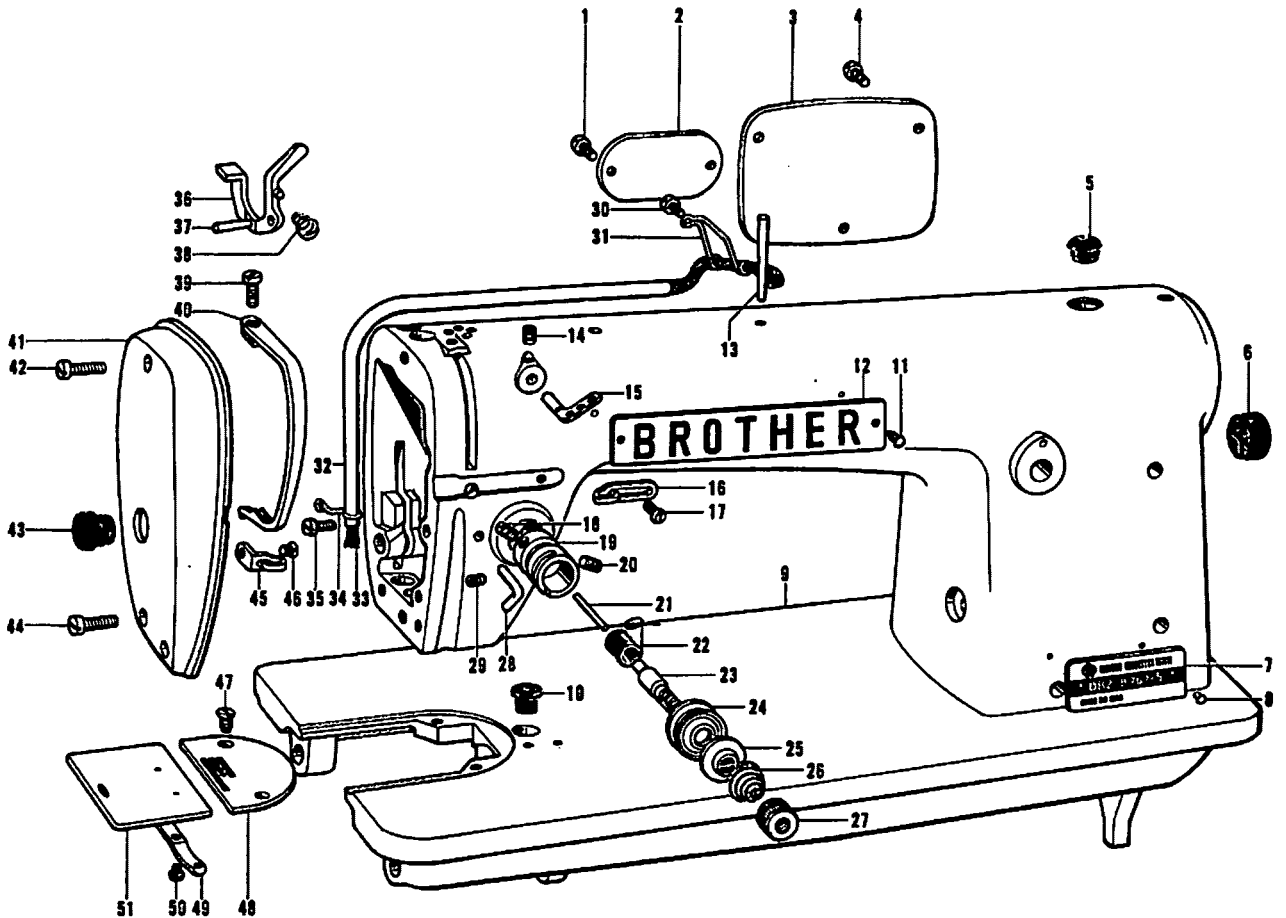
How to use the parts book

1. When the column for the parts number is , the parts cannot be supplied. But when the parts assembly number is shown in the column, please order the parts by the parts assembly number so that the parts can be arranged in the form assembled parts.
2. This book is edited basing on the data as of the May, 1977.
3. The parts in this book may be changed without any advance notice.

CONTENTS

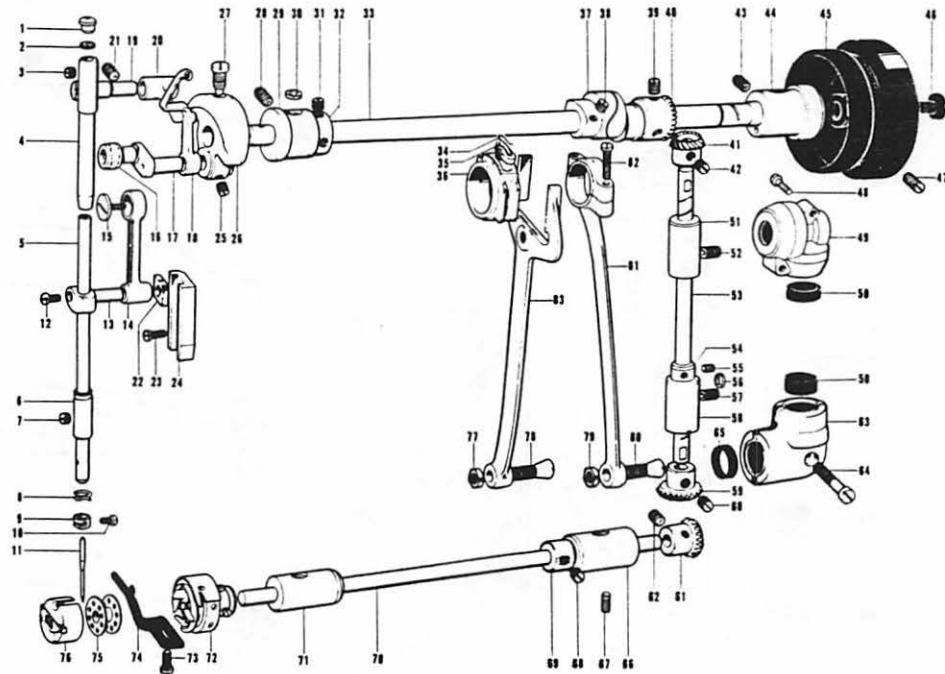
A. Machine Body.....	1
B. Upper Shaft, Needle Bar and Thread	
Take-up Lever Mechanism	2
C. Feed Mechanism.....	3
Z. Accessories	4
INDEX.....	5

A. Machine Body



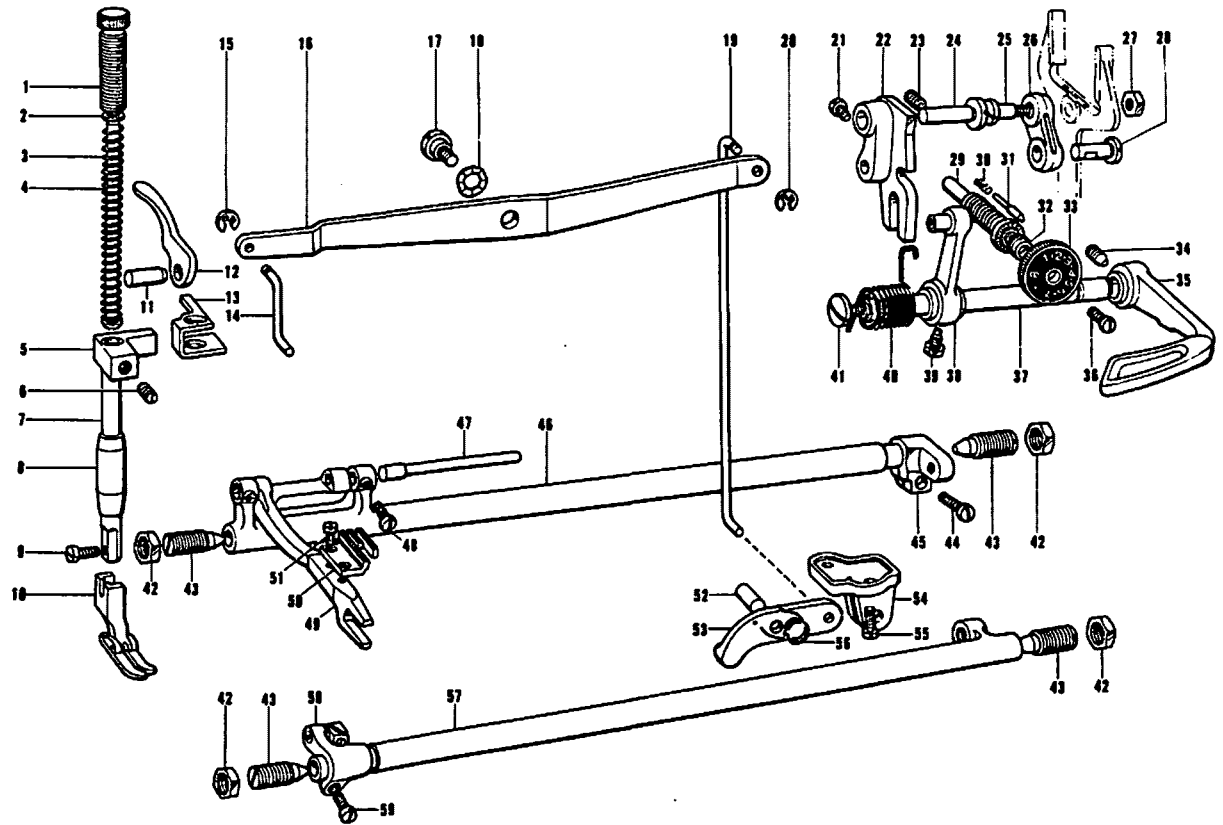
Ref. No.	Name of Parts	Q'ty	Parts No.	Assembly No.	Ref. No.	Name of Parts	Q'ty	Parts No.	Assembly No.
A-1	Screw	2	009670-612		A-27	Nut	1	100136-001	
A-2	Rear Cover Left	1	148920-001		A-28	Thread Guide	1	116112-001	
A-3	Rear Cover Right	1	148919-001		A-29	Screw	1	013680-612	
A-4	Screw	3	009670-612		A-30	Screw	1	009670-612	
A-5	Oil Cap	1	141744-001		A-31	Oil Wick Supporter	1	142100-001	
A-6	Oil Cap	1	104451-001		A-32	Vinyl Tube	1	148921-000	
A-7	Model Plate	1			A-33	Wick	1	140439-001	
A-8	Pin	2			A-34	Tube Holder	1	148806-001	
A-9	Arm Bed	1			A-35	Screw	1	009670-612	
A-10	Oil Cap	1	140890-001		A-36	Tension Release Lever	1	111470-000	
A-11	Pin	2			A-37	Pin	1	100040-000	
A-12	Name Plate	1			A-38	Tension Release Lever Spring	1	100405-001	
A-13	Spool Pin	1	100386-001		A-39	Screw	1	009680-712	
A-14	Screw	1	013680-612		A-40	Thread Take-up Cover	1	140885-001	
A-15	Thread Retainer	1	114931-001		A-41	Face Plate	1	111455-001	
A-16	Arm Thread Guide	1	113316-001		A-42	Screw	1	009671-813	
A-17	Screw	1	009670-514		A-43	Oil Cap	1	112782-001	
A-18	Screw	1	100402-004		A-44	Screw	2	009671-013	
A-19	Tension Bracket	1	145250-001		A-45	Face Plate Thread Guide	1	111476-001	
A-20	Screw	1	103950-002		A-46	Screw	1	108960-002	
A-21	Tension Release Pin	1	100400-000		A-47	Screw	2	100032-003	
A-22	Thread Take-up Spring	1	148923-001		A-48	Needle Plate	1	111508-001	
A-23	Tension Stud	1	100398-001		A-49	Slide Plate Spring	1		Slide Plate
A-24	Tension Disc	2	145445-001		A-50	Screw	2		Assembly
A-25	Tension Disc Washer	1	100134-001		A-51	Slide Plate	1		118289-001
A-26	Tension Spring	1	148924-001						

B. Upper Shaft, Needle Bar and Thread Take-up Lever Mechanism



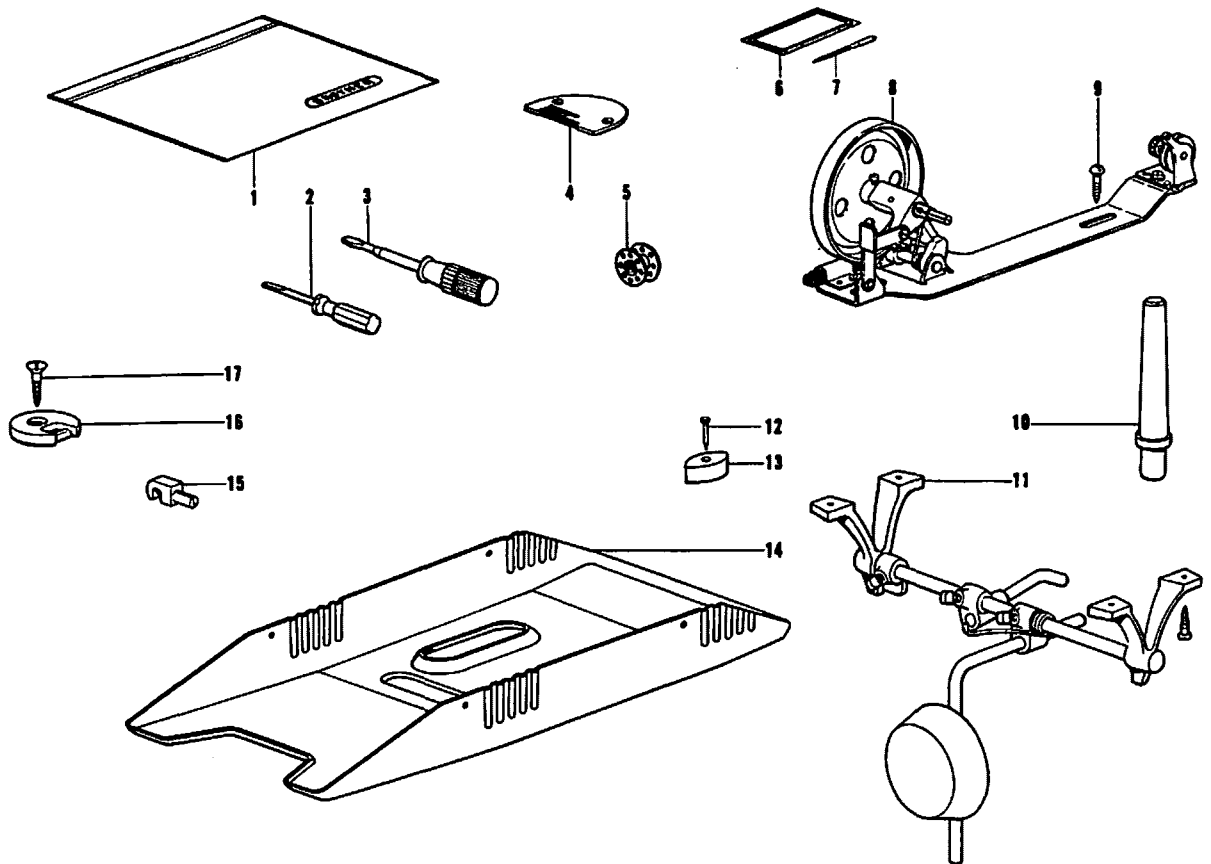
Ref. No.	Name of Parts	Q'ty	Parts No.	Assembly No.	Ref. No.	Name of Parts	Q'ty	Parts No.	Assembly No.
B-1	Cap	1	114255-001		B-43	Screw	1	013760-610	
B-2	Felt	1	115812-002		B-44	Upper Shaft Bushing Right	1	148897-000	
B-3	Screw	1	100260-001		B-45	Pulley	1	115244-001	
B-4	Needle Bar Bushing Upper	1	117116-001		B-46	Screw	1	148900-001	
B-5	Needle Bar	1	148898-001		B-47	Screw	2	013761-410	
B-6	Needle Bar Bushing Lower	1	148899-001		B-48	Screw	2	100320-002	Bevel Gear Case, U Assembly 140384-001
B-7	Screw	1	100260-001		B-49	Bevel Gear Case Upper	1	140385-000	
B-8	Thread Guide Lower	1	148901-001		B-50	Seal	2	103796-001	
B-9	Needle Bar Thread Guide	1	112775-001		B-51	Vertical Shaft Bushing Upper	1	148913-000	
B-10	Screw	1	140553-001		B-52	Screw	1	013760-610	
B-11	Needle DB X 1	1	100265-019		B-53	Vertical Shaft	1	144555-001	
B-12	Screw	1			B-54	Set Collar	1	118760-001	Collar Assembly 118759-001
B-13	Needle Bar Clamp	1			B-55	Screw	2	017106-001	
B-14	Needle Bar Crank Rod	1			B-56	Felt	3	148918-000	
B-15	Screw	1			B-57	Screw	1	013761-410	
B-16	Needle Roller Bearing	1			B-58	Vertical Shaft Bushing Lower	1	148914-000	
B-17	Needle Bar Crank	1			B-59	Gear Lower	1	117000-001	Gear, D Assembly 180890-001
B-18	Thread Take-up Lever	1			B-60	Screw	2	013770-710	
B-19	Stud for Thread Take-up Supporter	1			B-61	Gear	1	117001-001	Gear Assembly 180887-001
B-20	Link Take-up Supporter	1			B-62	Screw	2	013770-710	
B-21	Screw	1	013761-010		B-63	Bevel Gear Case Lower	1	110320-000	Lower Shaft Bevel Gear Case Assembly 118299-001
B-22	Needle Bar Guide Slide Block	1	102630-001		B-64	Screw	1	100343-001	
B-23	Screw	2	009670-612		B-65	Seal	1	103797-001	
B-24	Needle Bar Guide	1	102631-000		B-66	Lower Shaft Bushing Right	1	148916-000	
B-25	Screw	2	013770-710		B-67	Screw	1	011681-212	
B-26	Counter Weight-5	1	142406-000		B-68	Screw	2	101706-003	Set Collar Assembly 118299-001
B-27	Screw	1	104464-001		B-69	Set Collar	1	100356-001	
B-28	Screw	1	013761-410		B-70	Lower Shaft	1	100351-001	
B-29	Upper Shaft Bushing Left	1	148896-000		B-71	Lower Shaft Bushing Left	1	148915-000	
B-30	Felt	2	140560-001		B-72	Rotary Hook A	1	111272-001	
B-31	Screw	2	013770-710		B-73	Screw	1	009681-012	
B-32	Collar	1	104274-000		B-74	Bobbin Case Holder Position Bracket	1	100367-001	
B-33	Upper Shaft	1	144551-001		B-75	Bobbin	1	117132-001	
B-34	Felt Wire	1	106440-000		B-76	Bobbin Case	1	100369-001	
B-35	Felt	1	106442-001		B-77	Nut	1	104689-001	
B-36	Sleeve	1	104501-001		B-78	Screw	1	100310-001	
B-37	Feed Cam	1	100307-000	Feed Cam Sleeve Assembly 180435-001	B-79	Nut	1	104689-001	
B-38	Screw	2	013760-810		B-80	Screw	1	100310-001	
B-39	Screw	2	013770-710		B-81	Crank Rod	1	116994-001	Crank Rod Assembly 118293-001
B-40	Gear	1	140379-001	Gear Assembly 180891-001	B-82	Screw	2	107428-001	
B-41	Gear Upper	1	140380-001	Gear, U Assembly 180892-001	B-83	Feed Forked Connector	1	148906-001	
B-42	Screw	2	013770-710						

C. Feed Mechanism



Ref. No.	Name of Parts	Qty	Parts No.	Assembly No.	Ref. No.	Name of Parts	Qty	Parts No.	Assembly No.
C-1	Screw	1	141207-001		C-31	Pin	1	100327-001	
C-2	Presser Spring Washer	1	140407-001		C-32	Washer	1	142746-002	
C-3	Presser Spring	1	141209-001		C-33	Feed Length Control	1	148907-001	
C-4	Presser Spring Bar	1	141208-001		C-34	Screw	1	015771-012	
C-5	Presser Bar Bracket	1	142472-001		C-35	Reverse Lever	1	118752-001	
C-6	Screw	1	013760-810		C-36	Screw	1	142747-002	
C-7	Presser Bar	1	111466-001		C-37	Feed Regulator Lever Shaft	1	108541-001	
C-8	Presser Bar Bushing	1	111467-001		C-38	Feed Regulator Lever	1	116954-001	
C-9	Screw	1	001670-814		C-39	Bolt	1	108749-001	
C-10	Presser Foot	1	147328-001		C-40	Feed Regulator Spring	1	116956-001	
C-11	Presser Foot Lifter Stud	1	142475-001		C-41	Screw	1	100511-003	
C-12	Presser Foot Lifter	1	142481-001		C-42	Nut	4	100075-004	Center Screw with Nut 180987-001
C-13	Presser Bar Lifter	1	142473-001		C-43	Center Screw	4	100331-002	
C-14	Knee Lifter Shaft	1	148902-001		C-44	Screw	1	009751-612	Feed Rock Shaft Arm 148908-001
C-15	Stop Ring	1	048030-342		C-45	Feed Rock Shaft Arm	1	148909-001	
C-16	Knee Lifter Lever	1	148903-001		C-46	Feed Rock Shaft	1	148910-001	
C-17	Screw	1	148904-001		C-47	Feed Bar Shaft	1	116957-001	
C-18	Washer	1	109239-001		C-48	Screw	2	104908-001	
C-19	Knee Lifter Connecting Rod	1	148905-001		C-49	Feed Bar	1	116993-001	
C-20	Stop Ring	1	048030-342		C-50	Feed Dog	1	147493-001	
C-21	Screw	1	102627-001	Feed Regulator with Screw 182352-001	C-51	Screw	2	100080-003	
C-22	Feed Regulator	1	117482-001		C-52	Hinge Pin	1	118550-000	
C-23	Screw	1	013781-012		C-53	Knee Lifter Crank	1	143869-001	
C-24	Feed Regulator Stud	1	111491-001		C-54	Lever Pawl Support	1	144560-001	
C-25	Screw	1	145486-001		C-55	Screw	2	009710-812	
C-26	Feed Regulator Link	1	148911-001		C-56	Spring	1	100304-001	
C-27	Nut	1	104689-001		C-57	Feed Lifting Rock Shaft	1	116995-001	
C-28	Feed Regulator Link Shaft	1	148912-001		C-58	Feed Lifting Arm	1	104510-003	Feed Lifting Arm Assembly 117475-003
C-29	Screw	1	100322-001		C-59	Screw	1	009681-612	
C-30	Spring	1	100328-001						

Z. Accessories



Ref. No.	Name of Parts	Qty	Parts No.	Assembly No.	Ref. No.	Name of Parts	Qty	Parts No.	Assembly No.
Z- 1	Vinyl Bag		122991-001		Z-10	Head Rest		100477-001	
Z- 2	Screw Driver		142443-001		Z-11	Knee Lifter Assembly		110845-001	
Z- 3	Screw Driver		118837-001		Z-12	Nail		109714-000	
Z- 4	Needle Plate		111508-001		Z-13	Head Cushion		116708-001	
Z- 5	Bobbin		117132-001		Z-14	Oil Pan		148922-001	
Z- 6	Needle Bag				Z-15	Hook Hinge		100470-001	
Z- 7	Needle DB X I		100265-019		Z-16	Round Hinge		100468-001	
Z- 8	Bobbin Winder Assembly		117963-001		Z-17	Screw		100469-002	
Z- 9	Screw		100666-002						

* The details of included accessories are subject to change.

* Änderungen in der Aufstellung der mitgelieferten Zubehöre sind vorbehalten.

* Les détails des accessoires inclus sont sujets à des changements.

* Los detalles de los accesorios incluidos pueden variar.

INDEX

Parts No.	Ref. No.	Remark	Parts No.	Ref. No.	Remark	Parts No.	Ref. No.	Remark	Parts No.	Ref. No.	Remark
001670-814	C-9		100405-0-01	A-38		117116-0-01	B-4		148901-0-01	B-8	
009670-514	A-17		100468-0-01	Z-16		117132-0-01	B-75		148902-0-01	C-14	
009670-612	A-1		100469-0-02	Z-17			Z-5		148903-0-01	C-16	
	A-4		100470-0-01	Z-15		117475-0-03	C-58-59		148904-0-01	C-17	
	A-30		100477-0-01	Z-10		117963-0-01	Z-8		148905-0-01	C-19	
	A-35		100511-0-03	C-41		118289-0-01	A-49-51		148906-0-01	B-83	
	B-23		100566-0-02	Z-9		118293-0-01	B-81-82		148907-0-01	C-33	
009671-013	A-44		102630-0-01	B-22		118298-0-01	B-63-64		148908-0-01	C-44-45	
009671-813	A-42		102631-0-00	B-24		118299-0-01	B-68-69		148910-0-01	C-46	
009680-712	A-39		103796-0-01	B-50		118371-0-01	B-31-32		148911-0-01	C-26	
009681-012	B-73		103797-0-01	B-65		118550-0-00	C-52		148912-0-01	C-28	
009710-812	C-55		103950-0-02	A-20		118752-0-01	C-35		148913-0-00	B-51	
011681-212	B-67		104451-0-01	A-6		118759-0-01	B-54-55		148914-0-00	B-58	
013680-612	A-14		104464-0-01	B-27		118837-0-01	Z-3		148915-0-00	B-71	
	A-29		104689-0-01	B-77		122911-0-01	Z-1		148916-0-00	B-66	
013760-6-10	B-43			B-79		140384-0-01	B-48-49		148918-0-00	B-56	
	B-52			C-27		140407-0-01	C-2		148919-0-01	A-3	
013760-8-10	B-38		104908-0-01	C-48		140439-0-01	A-33		148920-0-01	A-2	
	C-6		106440-0-00	B-34		140553-0-01	B-10		148921-0-00	A-32	
013761-0-10	B-21		106442-0-01	B-35		140560-0-01	B-30		148922-0-01	Z-14	
013761-4-10	B-28		108541-0-01	C-37		140885-0-01	A-40		148923-0-01	A-22	
	B-47		108749-0-01	C-39		140890-0-01	A-10		148924-0-01	A-26	
	B-57		108960-0-02	A-46		141207-0-01	C-1		180435-0-01	B-36-37	
013770-710	B-25		109239-0-01	C-18		141208-0-01	C-4		180887-0-01	B-61-62	
013781-012	C-23		109714-0-00	Z-12		141209-0-01	C-3		180890-0-01	B-59-60	
015771-012	C-34		110845-0-01	Z-11		141744-0-01	A-5		180891-0-01	B-39-40	
048030-342	C-15		111272-0-01	B-72		142100-0-01	A-31		180892-0-01	B-41-42	
	C-20		111455-0-01	A-41		142406-0-00	B-26		180987-0-01	C-42-43	
100032-003	A-47		111466-0-01	C-7		142443-0-01	Z-2		182352-0-01	C-21-22	
100040-000	A-37		111467-0-01	C-8		142472-0-01	C-5				
100080-003	C-51		111470-0-00	A-36		142473-0-01	C-13				
100134-001	A-25		111476-0-01	A-45		142475-0-01	C-11				
100136-001	A-27		111491-0-01	C-24		142481-0-01	C-12				
100260-001	B-3		111508-0-01	A-48		142746-0-02	C-32				
	B-7			Z-4		142747-0-02	C-36				
100265-0-19	B-11		112775-0-01	B-9		143869-0-01	C-53				
	Z-7		112782-0-01	A-43		144551-0-01	B-33				
100304-0-01	C-56		113316-0-01	A-16		144555-0-01	B-53				
100310-0-01	B-78		114255-0-01	B-1		144560-0-01	C-54				
	B-80		114931-0-01	A-15		145250-0-01	A-19				
100322-001	C-29		115244-0-01	B-45		145446-0-01	A-24				
100327-001	C-31		115812-0-02	B-2		145486-0-01	C-25				
100328-001	C-30		116112-0-01	A-28		147328-0-01	C-10				
100351-001	B-70		116708-0-01	Z-13		147493-0-01	C-50				
100367-001	B-74		116954-0-01	C-38		148806-0-01	A-34				
100369-001	B-76		116956-0-01	C-40		148896-0-00	B-29				
100386-001	A-13		116957-0-01	C-47		148897-0-00	B-44				
100398-001	A-23		116993-0-01	C-49		148898-0-01	B-5				
100400-000	A-21		116995-0-01	C-57		148899-0-01	B-6				
100402-004	A-18		117114-0-01	B-12-20		148900-0-01	B-46				



117-767
195767-1-02
July, 1978